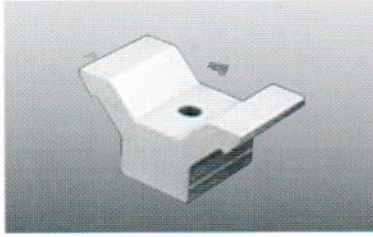


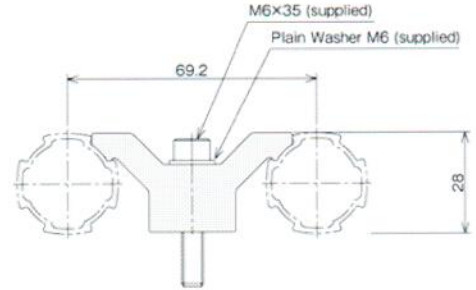
D28 Accessories

Caster Fix



Material/Technical data

Material: Aluminum extrusion
Environment: RoHS compliant
Weight: 64 g



Part No.

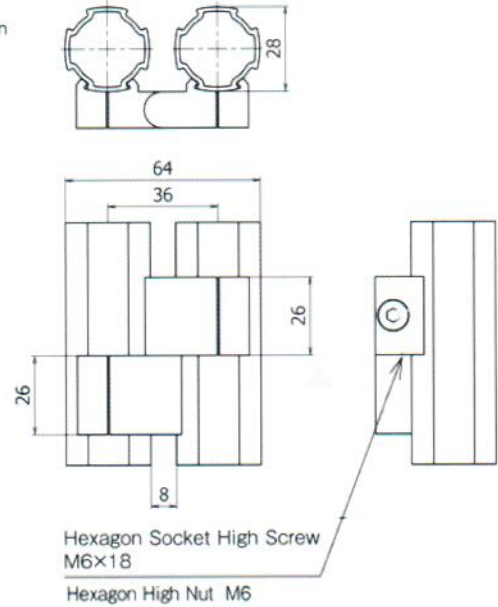
PTA-APCF-28

Hinge



Material/Technical data

Material: Body: Aluminum extrusion
Pin: Stainless
Environment: RoHS compliant
Weight: 52.7 g



Part No.

PTA-APH-28