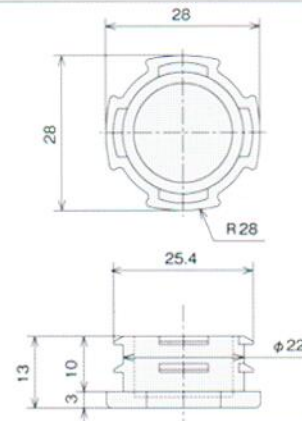


D28 Accessories

Inner Cap

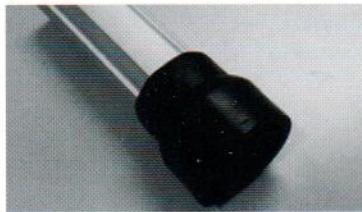


■ Material/Technical data
 Material: Polyethylene (light gray)
 Environment: RoHS compliant
 Weight: 3 g

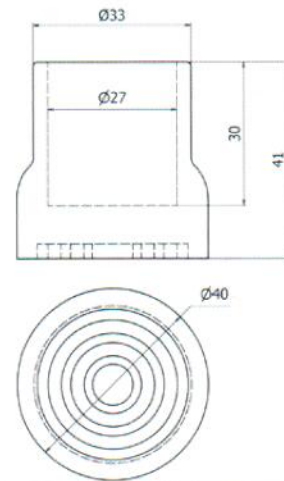


Part No.
PTA-APEC-28

Rubber Foot

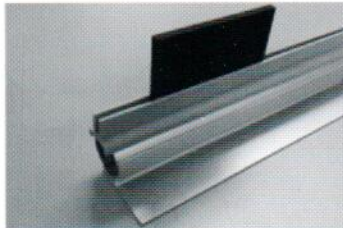


■ Material/Technical data
 Material: Rubber
 Environment: RoHS compliant
 Weight: 28.5 g

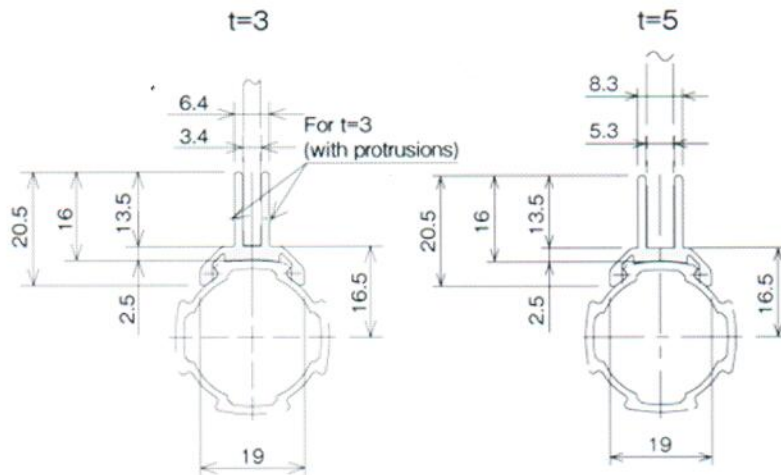


Part No.
PTA-APRF-28

Panel Hold (for t=3/t=5)



■ Material/Technical data
 Material: Polypropylene
 Environment: RoHS compliant
 Weight: 81 g/m (t=3)
 83.5 g/m (t=5)



Part No.
PTA-APPH-T3

Part No.
PTA-APPH-T5