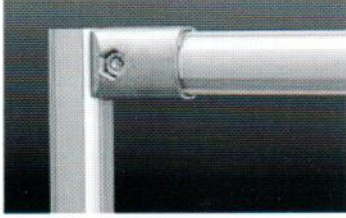


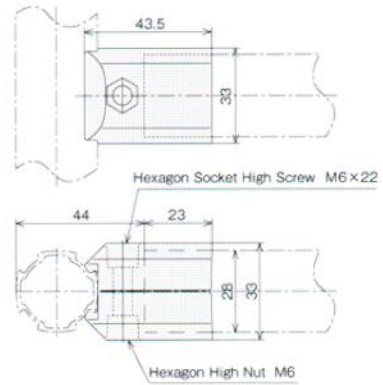
# D28 Connector

## 90° Connector Outer Type



■ Material/Technical data

Material: Aluminum die-cast  
 Environment: RoHS compliant  
 Weight: 61g



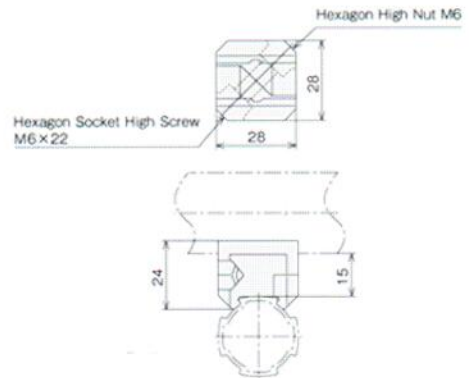
Part No.  
**PTC-APJ-7**

## Cross Connector



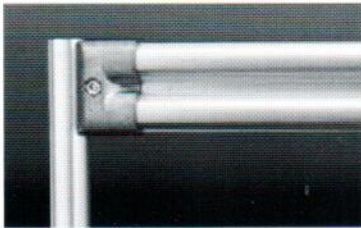
■ Material/Technical data

Material: Aluminum die-cast  
 Environment: RoHS compliant  
 Weight: 38g



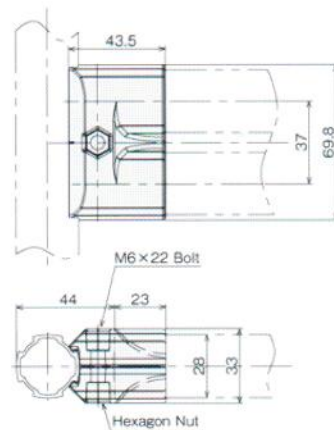
Part No.  
**PTC-APJ-8**

## Double Connector



■ Material/Technical data

Material: Aluminum die-cast  
 Environment: RoHS compliant  
 Weight: 127g



Part No.  
**PTC-APJ-9**

## Installation and compatible frames

