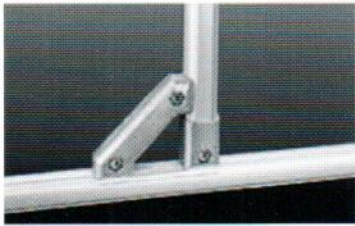


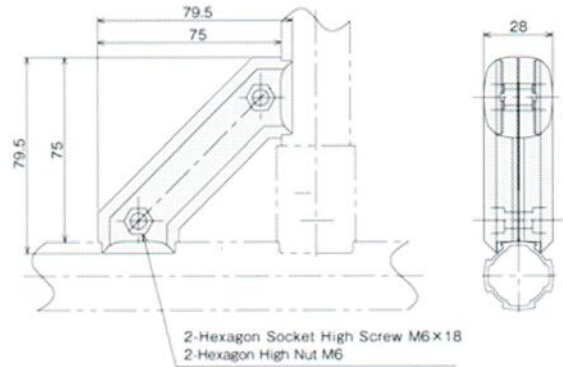
# D28 Connector

## Gusset Connector



■ Material/Technical data

Material: Aluminum die-cast  
 Environment: RoHS compliant  
 Weight: 123g



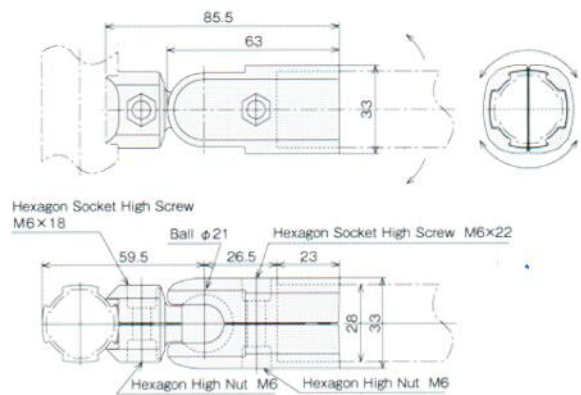
Part No.  
**PTC-APJ-4**

## 0-90°Connector Outer Type



■ Material/Technical data

Material: Aluminum die-cast  
 Environment: RoHS compliant  
 Weight: 127g



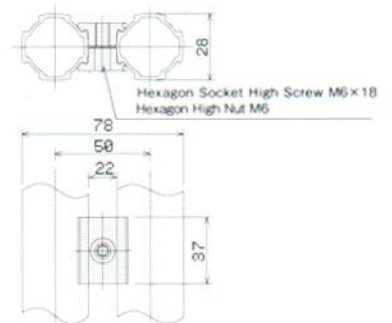
Part No.  
**PTC-APJ-5**

## Double Connector



■ Material/Technical data

Material: Aluminum extrusion  
 Environment: RoHS compliant  
 Weight: 47 g



Part No.  
**PTC-APJ-6**

## Installation and compatible frames

