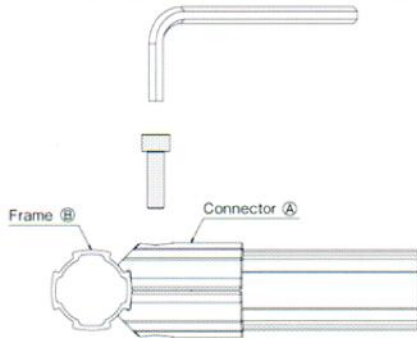


D28 Assembling Method

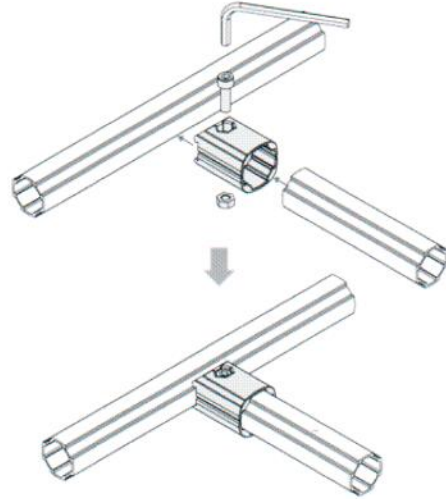
Basic assembly

Installation in four directions is possible with the frame's protrusions.

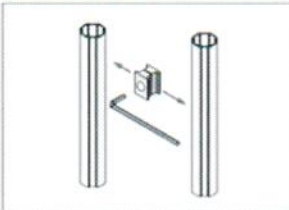
Loosen Connector (A) screw to insert the D28 Frame, fit it in Frame (B) protrusions, and tighten the screw.



* It is not necessary to remove the bolt



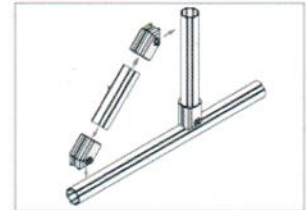
Parallel connection



Reinforcement



45-Degree



Corner

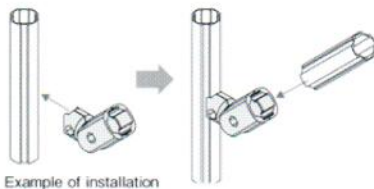


Cross connection



Free-angle connection

0-90° Connector



Example of installation



90° Connector (Inner) R

